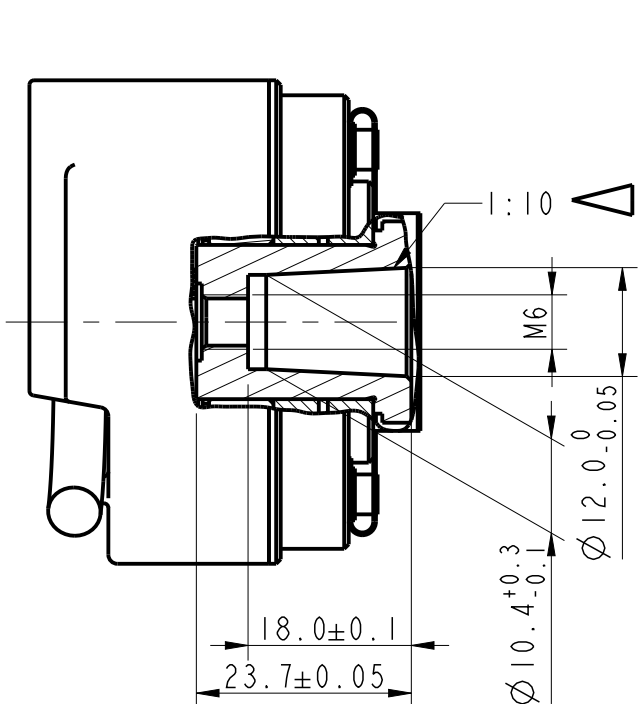


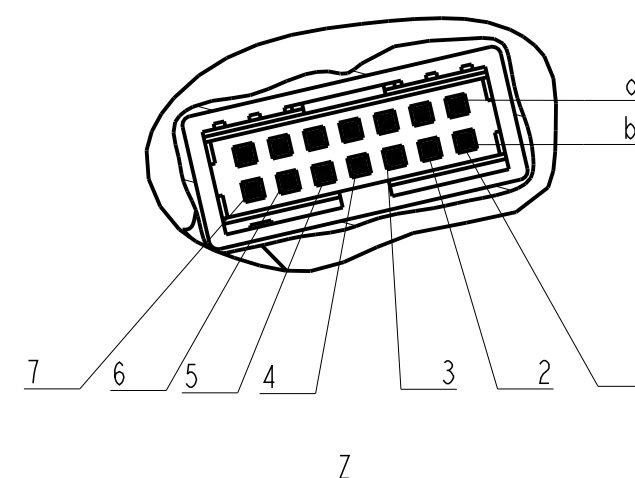
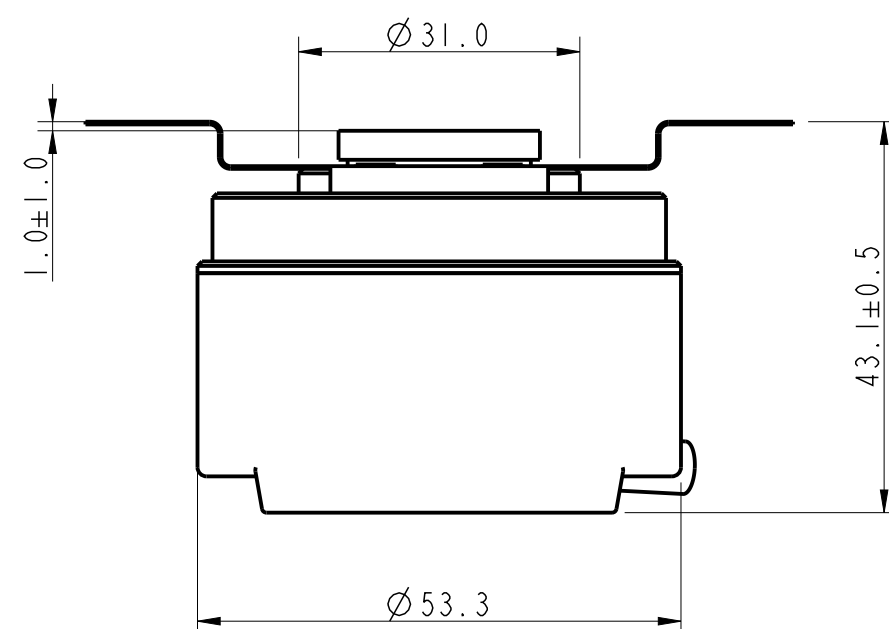
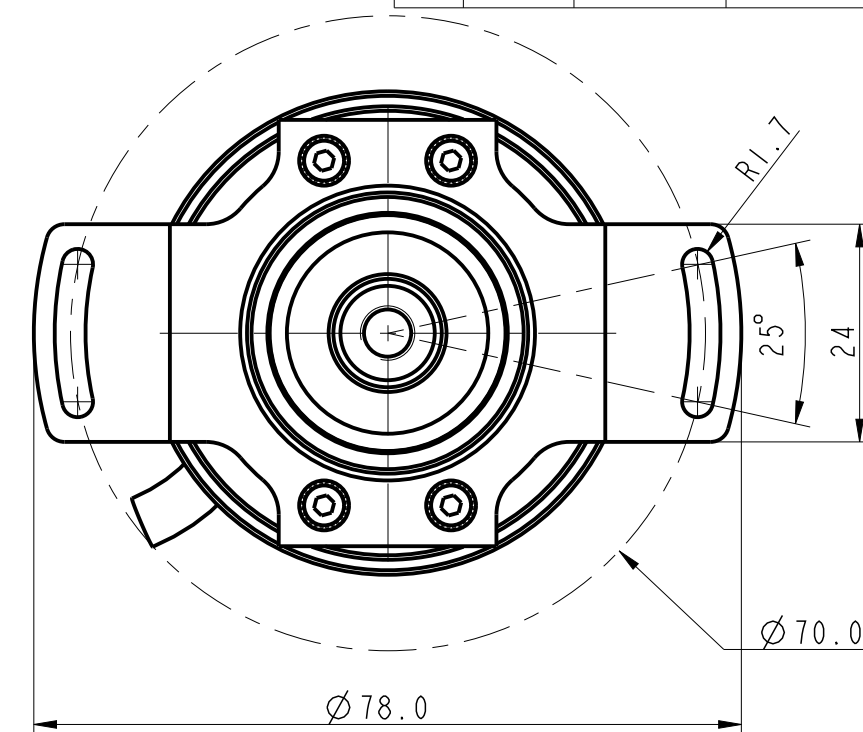
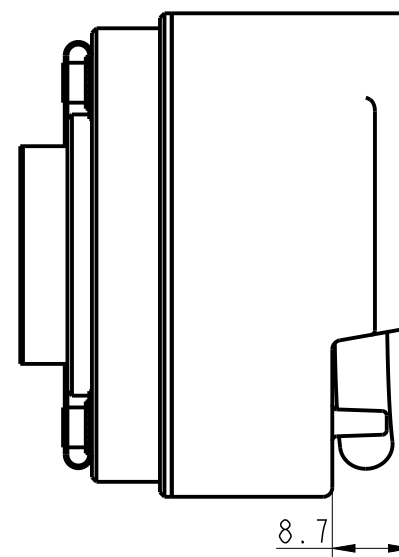
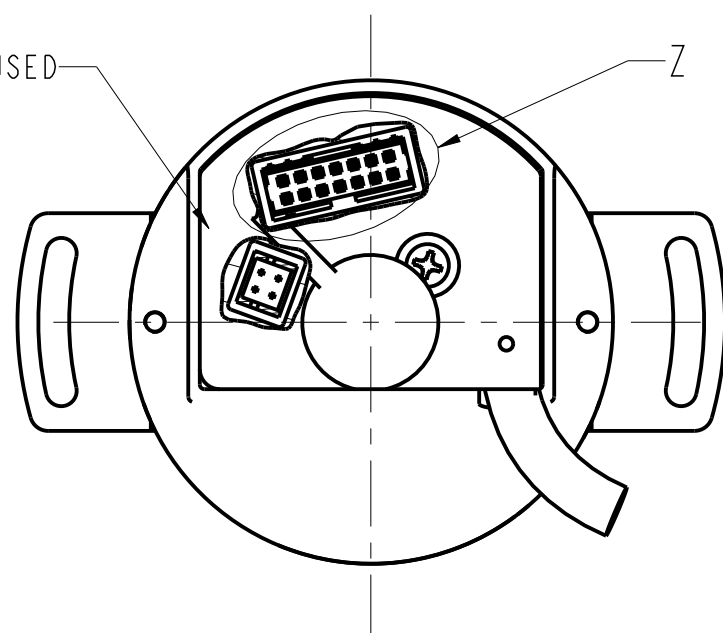
ISO2768-1 MEDIUM

FIRST ANGLE	LENGTH/ DIAMETER	0.5-6	>6-30	>30-120	>120-400	>400-1000	>1000-2000	>2000-4000	RADIUS/ CHAMFER	0.5-3	>3-6	>6	ANGLE (shorter side length)	0-10	>10-50	>50-120	>120-400	>400
	TOLERANCE	±0.1	±0.2	±0.3	±0.5	±0.8	±1.2	±2	TOLERANCE	±0.2	±0.5	±1	TOLERANCE	±1°	±0.5°	±0.3°	±0.15°	±0.1°

REV	ECN	DATE	APPROVED

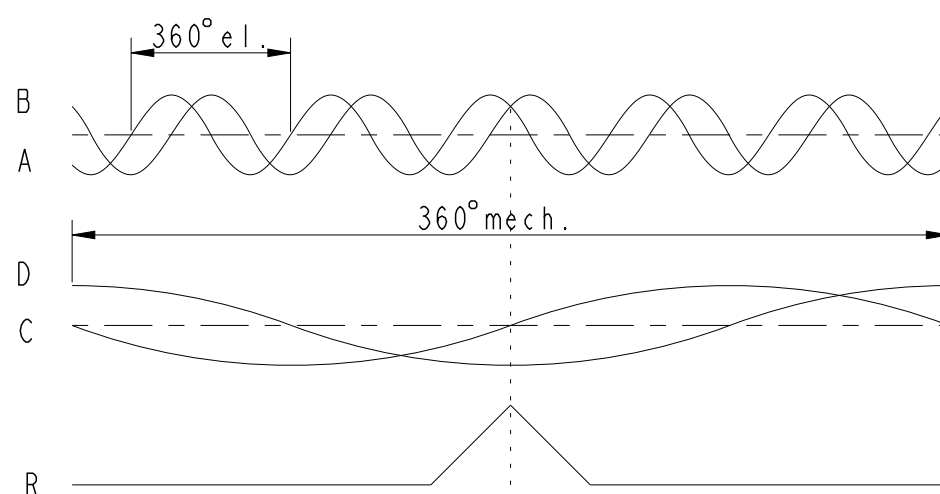


ONLY FOR MANUFACTURER USED



Electrical Data:
 Code: Incremental with sin/cos interface
 Number of pulses: 2048
 Operating Voltage: 5V±5% VDC
 No-load supply current: 150mA max
 Output Signals: sin/cos 1Vpp
 Maximum Response Frequency: 512 kHz
 Mechanical Data:
 Weight: 200g typ.
 Dimensions:
 Outside Diameter with cover: 53.3mm; Mounting depth: 43.1mm
 Material:
 Bearing housing: aluminium;
 Cover: aluminium;
 Shaft: Copper
 Mating Shaft Runout: ±0.1mm max.
 (Includes shaft perpendicularity to mounting surface)
 Mating Shaft Axial movement: max. ±0.2mm
 Max. Velocity: 1465RPM
 Environmental:
 Operating Temperature: -20°C to +120°C
 Storage Temperature: -40°C to +120°C
 Shock: 100 Gs for 11 msec duration
 Vibration: 10 Gs at 5 to 2000 Hz
 Relative Humidity: 95% non-condensing
 Enclosure Rating: IP 40 (Cable needs to be oriented downwards)

Signal Format
 CW SHAFT ROTATION



Connector		
PIN	Color	Function
1a	BRN	C-
1b	GRY/PNK	5V
2a	YLW	A-
2b	BLK	D+
3a	GRN/BRN	NC
3b	BLU	B+
4a	PNK	R-
4b	GRY	R+
5a	RED	B-
5b	WHT/GRN	GND
6a	VIO	D-
6b	GRN	A+
7a	RED/BLU	NC
7b	WHT	C+

TOLERANCES UNLESS INDICATED:		UNITS: mm	TITLE OUTLINE & SPEC, RS20	
.XXX	.XX	ANGLES	FILE NAME:	SCALE:
±	±	/	703404-0001	/
/	/	/	DRAWN:	DATE:
/	/	/	DEVIN	2022-01-03
FINISH:			CHECKED:	DATE:
/			DEVIN	2022-01-03
/			RELEASED:	DATE:
/			YC	2022-01-03
COMPLIANCE REQUIRED		PRO/E MODEL:	APPLICATION:	
<input type="checkbox"/> UL	<input type="checkbox"/> CSA	<input type="checkbox"/> CE	<input type="checkbox"/> TUV	
<input type="checkbox"/> FCC	<input type="checkbox"/> VCCI	<input type="checkbox"/> RoHS	<input type="checkbox"/> REACH	
© 2020 D.T.C.		"C" SIZE	DRAWING NUMBER	
HENGSTLER			703404-0001	
				REV
				-