

Types 344-346



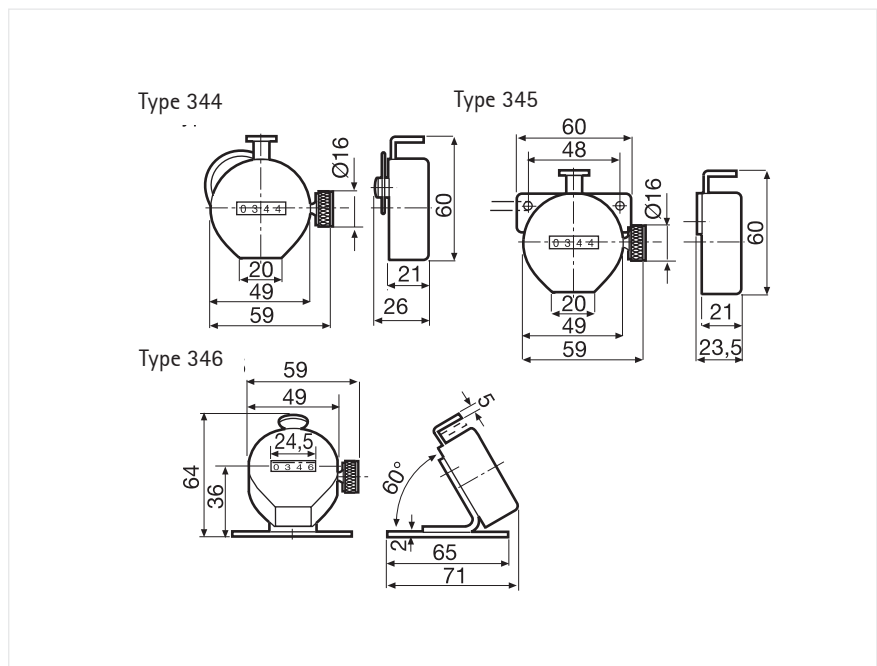
Type 344

TECHNICAL DATA

- 4-digit display
- Resettable with rotary knob
- Rugged, easy to operate
- Maintenance-free operation

| | |
|---------------|---|
| Display | 4-digit |
| Digit height | 4 mm |
| Mounting | depending on version, handheld with thumb ring, wall or table-mounted |
| Cover | plastic (ASB) red, metal on request |
| Weight | approx. 95 g |
| Counting mode | adding, 1 stroke = 1 increment |
| Reset | rotary knob on the right-hand side |

DIMENSIONS



ORDER INFORMATION

| | |
|--------------------------------|-------------------------|
| Hand tallys with thumb ring | Ordering code 0 344 001 |
| Hand tallys for wall-mounting | Ordering code 0 345 001 |
| Hand tallys for table-mounting | Ordering code 0 346 001 |