

December, 2009

1675 Delany Road • Gurnee, IL 60031
Phone: 847.662.2666

ATTENTION—PRODUCT CHANGE



HS35



HS35R

Dear Valued Customer:

As you open this packaging, you will notice the new HS35R encoder is inside. **The new HS35R differs dimensionally from the existing HS35.** Refer to the back of this flyer for key dimensional differences.

NOTE: IF YOUR APPLICATION USES THE PROTECTIVE BASKET COVER, YOU WILL NEED A NEW BASKET. Please call customer service at 800-873-8731 with your purchase order number to get a free basket cover if one is required and not already included with the encoder.

For more detailed information or to request a new basket cover online, please visit www.dynapar.com/HS35R.

Sincerely,

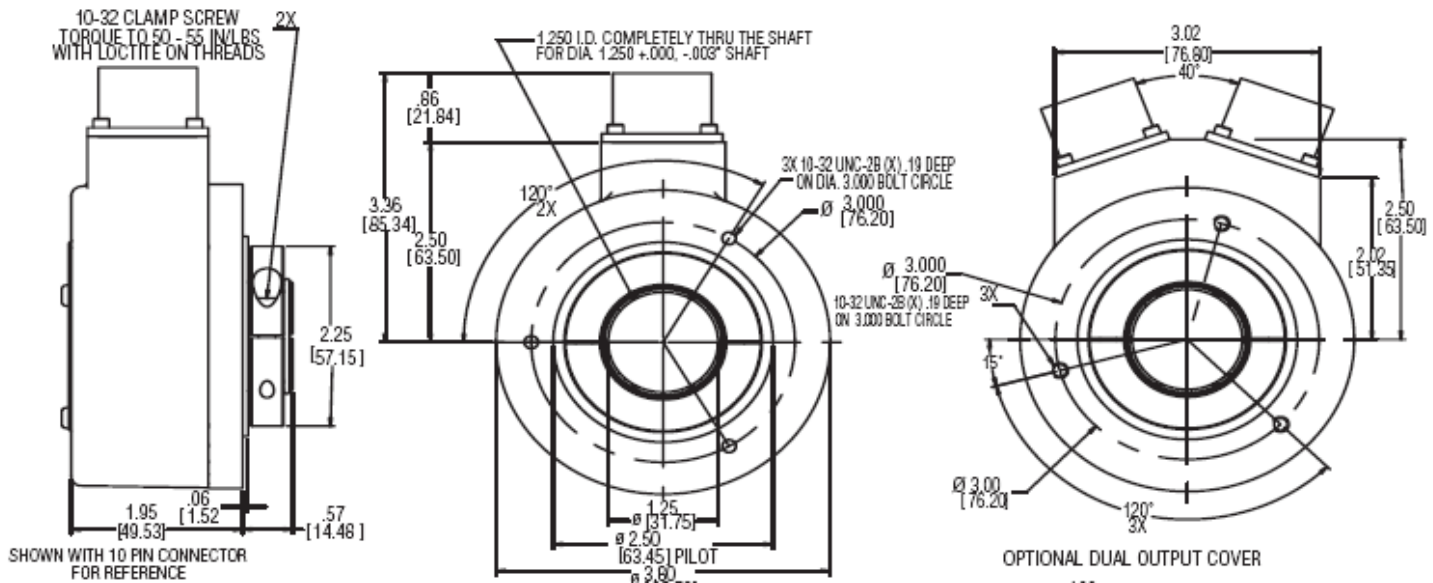


Allen Chasey
Marketing Manager



Encoder Critical Dimensional Differences:

DIMENSION	HS35	HS35R	Difference
Diameter	3.54"/89.9mm	3.80"/96.52mm	.26"/6.62mm
Clamp Diameter	1.93"/49.0mm	2.25"/57.15mm	.32"/8.15mm
Housing Depth (Thickness)	1.45"/36.8mm	1.95"/49.53mm	.50"/12.73mm
Total Depth (to Clamp Edge)	1.80"/45.7mm	2.52"/64.01mm	.72"/18.31mm
Centerline to Connector Base	2.25"/57.2mm	2.50"/63.50mm	.25"/6.30mm



HS35R Dimensions