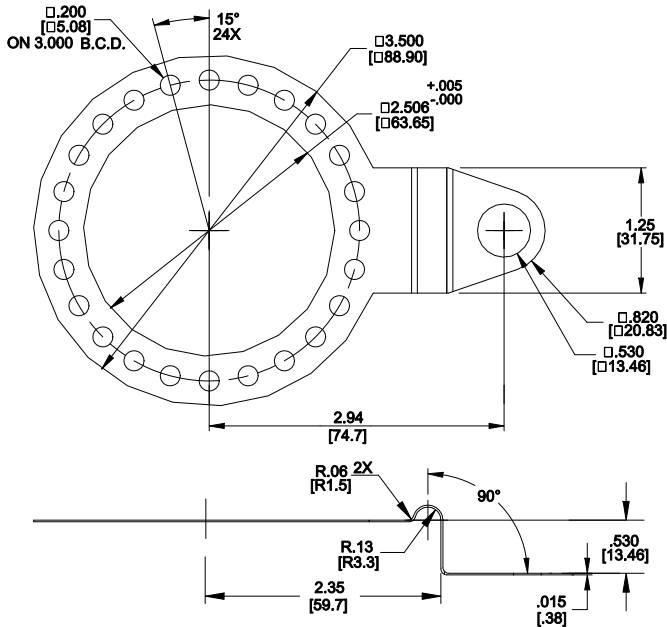
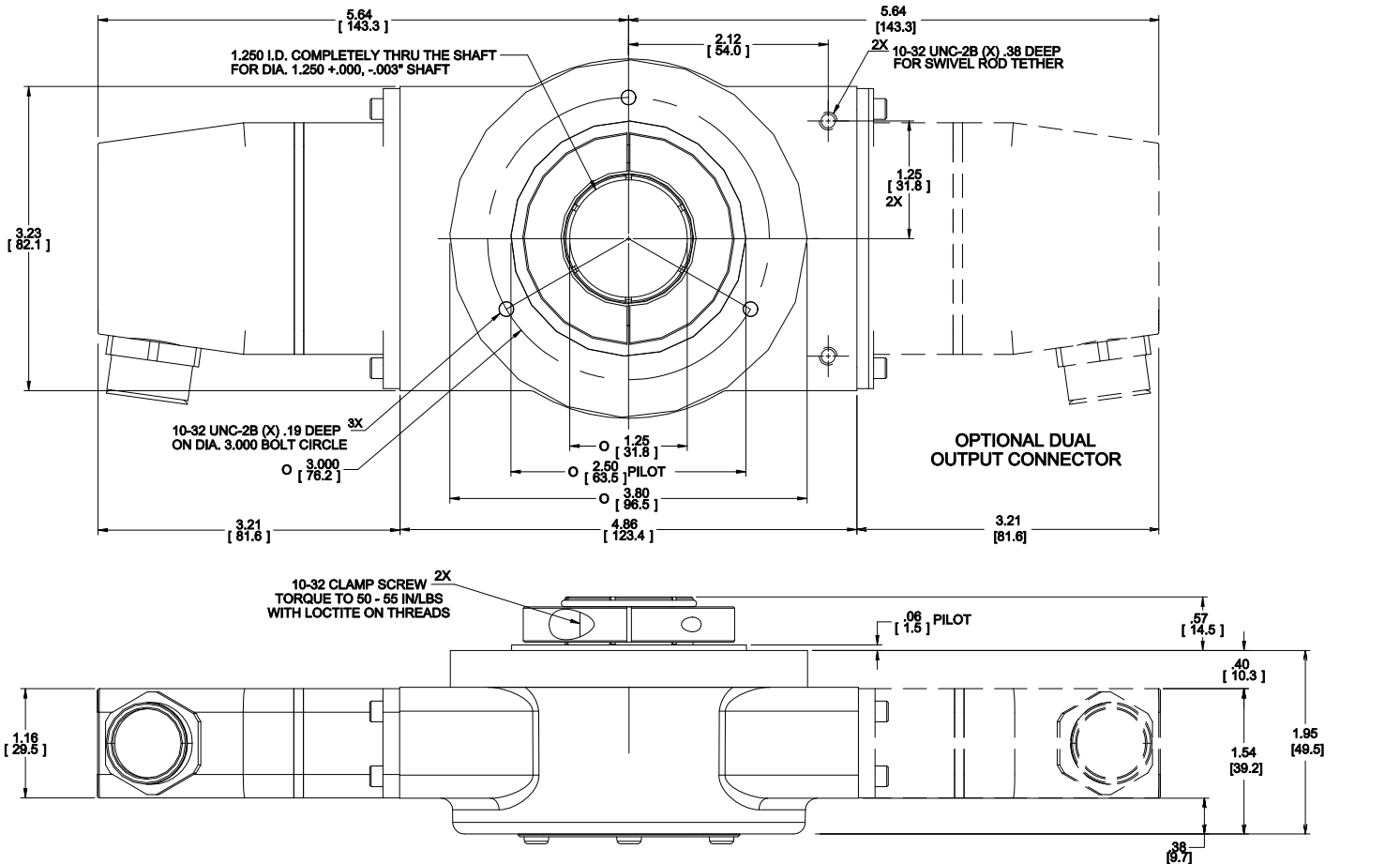


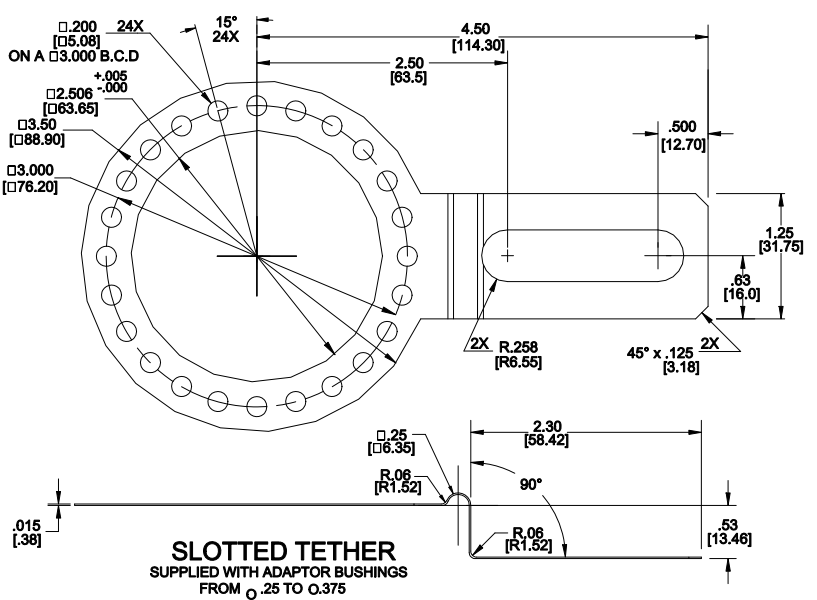
Series HSD35

HARSH DUTY HOLLOWSHAFT ENCODER

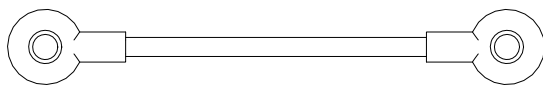
For Hazardous Environment Use



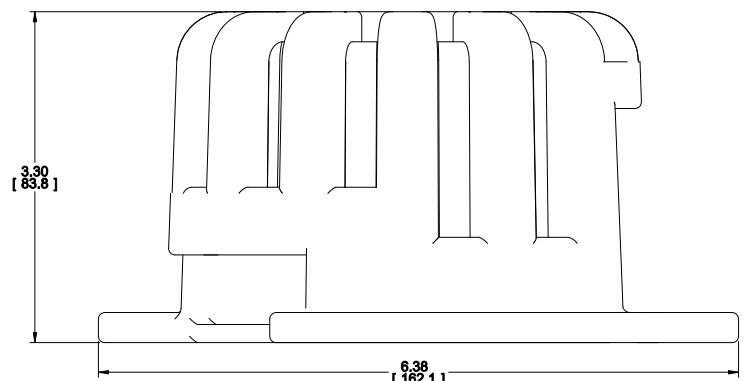
SINGLE POINT TETHERS
SUPPLIED WITH ADAPTOR BUSHINGS FROM 0.25 TO 0.375



SLOTTED TETHER
SUPPLIED WITH ADAPTOR BUSHINGS FROM 0.25 TO 0.375



SWIVEL ROD TETHER



OPTIONAL SAFETY COVER(S)